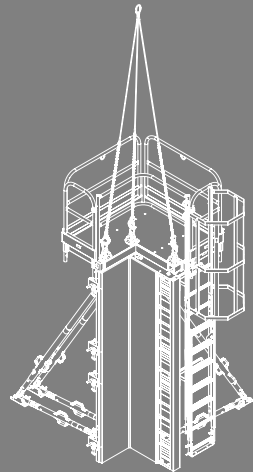


# Crane Hook for Concreting Platforms

## Item no. 037440

Translation of the Original Instructions for Use

CE



## **Introduction**

Overview	1
Key	2
Safety instructions	3
Intended use	6
Instructions for Use	7
Target groups	8
Storage and transportation	10
Additional technical documentation	11
Care and maintenance instructions	11
Identification markings	12
Inspections	12

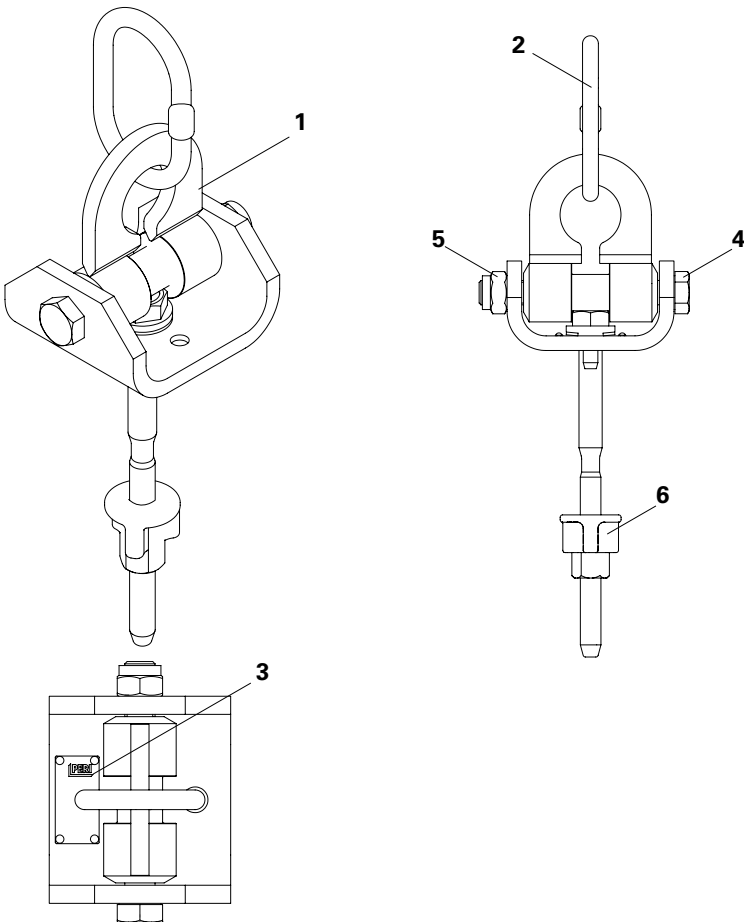
## **Application**

Load-bearing capacity	14
Assembly	15
Transport of load	16
Dismantling	17
Disposal	18

## **Appendix**

Components	19
EC Declaration of Conformity	20

## Overview



- (1) Crane Hook for Concreting Platforms
- (2) Suspension
- (3) Type Plate

- (4) Bolt ISO 4014  
M20x160-8-8-galv.
- (5) Nut ISO 7040  
M20-8-galv.
- (6) Cam Nut DW 15, galv.

## Key



Safety instructions



Tip



Note



Visual check



Load-bearing point



Safety helmet



Safety shoes



Safety gloves



Safety glasses

## Dimension specifications

Dimensions are usually given in mm. Other units of measure, e.g. cm, are specified in the illustrations. Load details are usually given in kg. Other measurement units, e.g. t, are specified in the illustrations.

## Conventions

- Instructions are numbered with:  
1. ...., 2. ...., 3. ....
- The result of an instruction is shown by: →
- Position numbers are clearly provided for the individual components and are given in the drawing, e.g. **1**, in the text in brackets, for example (1).
- Multiple position numbers, i.e. alternative components, are represented with a slash, e.g. **1 / 2**.

## Arrows

→ Arrow representing an action

## Safety instructions

The safety instructions alert site personnel to the risks involved and provide information on how to avoid these risks.

Safety instructions are featured at the beginning of the section ahead of the instructions, and are highlighted as follows:



### **Danger**

This sign indicates an extremely hazardous situation which, if not avoided, will result in death or serious injury.



### **Warning**

This sign indicates a hazardous situation which, if not avoided, could result in death or serious injury.



### **Caution**

This sign indicates a hazardous situation which, if not avoided, could result in minor or moderate injury.



This sign indicates warning of situations whereby failure to observe the information can result in material damage.

## Safety instructions

### General

When using PERI Lifting Accessories, the Instructions for Use and markings are to be complied with at all times!

Deviations from the standard configuration are only permitted after a further risk assessment has been carried out by the contractor.

On the basis of this risk assessment, appropriate measures for working and operational safety as well as stability are to be determined.

For the application and inspection of our products, the current safety regulations and guidelines in the respective countries where they are being used must be observed at all times.

The contractor must ensure that the Instructions for Use provided by PERI are available at all times for the users and that they are fully understood!

The contractor can only assign those persons to independently use lifting accessories who are actually familiar with the task!

PERI Lifting Accessories are to be used in such a way that persons are not put at risk!

The maximum load-bearing capacity of PERI Lifting Accessories must not be exceeded!

All persons using the lifting accessories must monitor the equipment during use for obvious defects (e.g. deformations, cracks, breaks, incomplete markings)!

Do not use damaged lifting accessories!

PERI Lifting Accessories may not be used in the case of illegible or missing markings!

The contractor must ensure that the personal protective equipment required for the assembly, modification or dismantling of the system is available and used as intended.

For a better understanding, detailed illustrations are partly incomplete. The safety installations which have possibly not been featured in these detailed drawings must nevertheless be present!

## Safety instructions

### Product-specific

The person who attaches the load to the lifting accessory must be sufficiently secured against falling.

In all cases, the load must be secured against tipping over and sliding!

Move loads only during safe wind conditions. Observe storm warnings! Depending on the type of load and the surface area subjected to the wind, the decision whether sufficient safety measures are in place when moving the load is taken on the jobsite.

The slings which are attached to the lifting accessories must be equipped with a hook securing device.

The operator may begin to move the load only if he is completely satisfied that the load has been correctly attached.

Ensure loads are evenly balanced when being picked up! Loads must be sufficiently stable both in their form and position so that the load does not move during transportation!

Ensure that the load is in a safe and secure position before releasing the slings! Always lift up or set down loads smoothly without any jerking!

Before moving, remove or secure any loose components!

Persons are not allowed to remain under the load being lifted!

Transporting persons on the load is prohibited!

Ensure that the slings, such as steel wire ropes and chains, are not knotted or twisted! Ensure that the lifting chains of the lifting accessory are not wrapped around the load to be transported nor stretched over sharp edges! Twisted chains must be straightened!

## Intended use

PERI products have been designed for exclusive use in the industrial and commercial sectors by suitably trained personnel only!

The product described here is classified as lifting accessory which is used as a lifting point for accommodating tensile forces. It serves exclusively for moving PERI TRIO, RAPID and QUATTRO Column Formwork together with a concreting platform.

The Crane Hook for Concreting Platforms is not used in continuous operations and, after being mounted, becomes an integral part of the load.

The Crane Hook for Concreting Platforms may only remain attached to the designated position on the concreting landing.

The lifting accessory is not approved for transporting personnel.

These Instructions for Use contain information for ensuring proper handling and correct application, inspection and maintenance.

The product described here corresponds to the relevant provisions and regulations of Machinery Directive 2006/42/EC.

These Instructions for Use provide the basis for the risk assessment. The risk assessment is compiled by the contractor. The Instructions for Use do not replace the risk assessment!

Use of the lifting accessory:

- Within the permissible load-bearing capacity of up to 1.0 t (1000 kg).
- Within the permissible temperature limits of -20 °C to +60 °C.
- In good working condition.
- When correctly assembled.

Assembly of the Crane Hook for Concreting Platforms is demonstrated using the RAPID Column Formwork as an example.



## Instructions for Use

The use in a way not intended or deviating from the intended use according to the Instructions for Use represents a misapplication with a potential safety risk.

Changes to PERI components are not permitted.

Only PERI original components may be used. The use of other products and spare parts represents a misapplication with associated safety risks.

Do not use damaged lifting accessories.

## Target groups

### Contractors

These Instructions for Use are intended for contractors who

- assemble, modify and dismantle the PERI products, or
- it e.g. for concreting or
- who have them used, e.g. for forming operations.

### Construction site coordinator

The Safety and Health Protection Coordinator\*

- is appointed by the client,
- must identify potential hazards during the planning phase,
- determines measures that provide protection against risks,
- creates a safety and health plan,
- coordinates the protective measures for the contractor and site personnel so that they do not endanger each other,
- monitors compliance with the protective measures.

### Competent persons

Due to the specialist knowledge gained from professional training, work experience and recent professional activity, the competent person has a reliable understanding of safety-related issues and can correctly carry out inspections. Depending on the complexity of the test to be undertaken, e.g. scope of testing, type of testing or the use of a certain measuring device, a range of specialist knowledge is necessary.



- **In other countries, ensure that the relevant national guidelines and regulations in the respective current version are complied with!**
- **If no country-specific regulations are available, it is recommended to proceed according to German rules and regulations.**

\* Valid in Germany: Regulations for Occupational Health and Safety on Construction Sites 30 (RAB 30).

## Qualified persons

PERI products may only be assembled, modified or dismantled by personnel who are suitably qualified to do so. For the work to be carried out, the qualified persons must have received instructions\*\* which contain at least the following points:

- An explanation of the plan for the assembly, modification or dismantling of PERI products in an understandable form and language.
- Description of measures in order to safely assemble, modify or dismantle the PERI products.
- Designation of the preventive measures to avoid the risk of persons and objects falling.
- Designation of the safety precautions in the event of changing weather conditions which could adversely affect the safety of the PERI products concerned as well as the personnel.
- Details regarding the permissible loads.
- Description of any other risks that are associated with the assembly, modification or dismantling procedures.

\*\* Instructions are given by the contractor himself or a competent person selected by him.

## Storage and transportation

Store and transport the lifting accessory so that it cannot unintentionally change its position or be damaged in any way.

Do not drop the lifting accessory.

During the moving procedure with the crane, ensure that components are picked up and set down so that any unintentional falling over, falling apart, sliding, falling to the ground or rolling is avoided.

Do not place any loads on the lifting accessory.

Use original PERI storage and transport systems, e.g. crate pallets.

Store in a dry, clean and corrosion-protected condition at temperatures from -20 °C to +60 °C.

PERI Lifting Accessories must be protected against the effects of the weather and aggressive materials if safety is then likely to be affected!

During transport, intermediate storage or when remaining suspended on the load, ensure that they remain free of dirt and that their functionality is not affected.

## Additional technical documentation

- Instructions for Use:
  - Pallets and Stacking Devices
  - Pallet Truck
- Instructions for Assembly and Use:
  - TRIO Column Formwork
  - RAPID Column Formwork
  - QUATTRO Column Formwork
- Brochures
  - TRIO Column Formwork
  - RAPID Column Formwork
  - QUATTRO Column Formwork

## Care and maintenance instructions

The lifting accessory has been designed for long-term use on construction sites.

In order to ensure a cost-effective, technically sound and safe use over a long period, it is important to take a value-preserving approach.

Repairs are to be carried out by authorized PERI personnel only. Only PERI original components may be used.

## Identification markings



### Caution

**Do not use the Crane Hook for Concreting Platforms if the type plate is missing or illegible!**

### Type plate

(Fig. 1)

Markings comply with the requirements of the Machinery Directive 2006/42/EC.

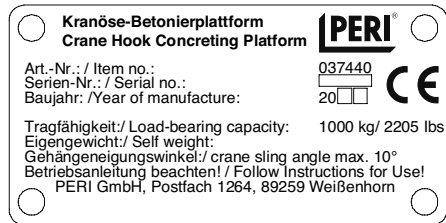
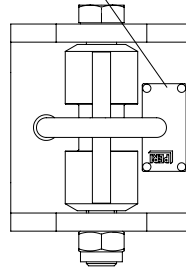


Fig. 1



## Inspections

### 1. General

The procedure described in this section is based on the current German regulations for testing and inspections. The points listed form the minimum requirements for the inspection.

The respective regulations of the individual states and countries where this product is used must be taken into account.

If no country-specific regulations are available, it is recommended to proceed according to German rules and regulations.

The contractor is responsible for determining the type, scope and intervals for the required inspections relating to the provision of the lifting accessory. As a result of these inspections, any safety-related defects are to be systematically identified and remedied.

## 2. Purpose

Due to the check carried out before the initial operations as well as regularly recurring inspections of the lifting accessory, it can be ensured that operational and functional reliability is guaranteed.

## 3. Responsibility

The contractor must ensure that lifting accessories are put into operation only if they have been inspected by a qualified person.

## 4. Inspection

Verification is required in order to determine whether all defects have been rectified or non-functioning products have been replaced.

The inspection includes a visual and functional check:

### 4.1 Safety check

- Deformation, wear and lengthening of the components.
- Damage due to corrosion.
- Mechanical damage.
- Check bolts, lifting beam hooks and chain slings for signs of damage.
- Availability of all components.
- Cracks, bending, flattening, notches on components.
- Only use original PERI components.
- Indications of impermissible heating or contact with fire.
- Markings must be legible.

### 4.2 Functionality check

- Free and easy movement of moving parts.
- Locking system works correctly.
- Safety pawls and safety hooks engage.
- Eyes and shackles for fastening purposes are usable.

Implementation of anything beyond the usual scope of inspection is subject to the discretion of the qualified person and can extend to additional checks.

### 4.3 Measures

If any defects are determined during the safety inspection, they must be eliminated according to the instructions provided by the qualified person. A new inspection is to be subsequently carried out.

### 4.4 Inspection before starting work operations

- Check whether the load-bearing capacity of the lifting accessory is sufficient for the weight of the load.
- Check the lifting accessory for any defects.

## Load-bearing capacity



### Danger

- Danger to life due to elements falling.
- Moving of other products is not permitted!
- Do not exceed the permissible load-bearing capacity and maximum crane sling angle specified for the Crane Hook for Concreting Platforms!

Load Factor: 3 (according to DIN 13155).

Perm. load-bearing capacity per Crane Hook for Concreting Platforms: 1000 kg.

Max. crane sling angle: 10°.  
(Fig. 2)

## Assembly



### Danger

- Risk of crushing due to element tipping over!
- Assembly of the Crane Hook for Concreting Platforms is carried out on horizontally-positioned formwork elements!
- Crane Hook for Concreting Platforms is bolted to undamaged elements only!

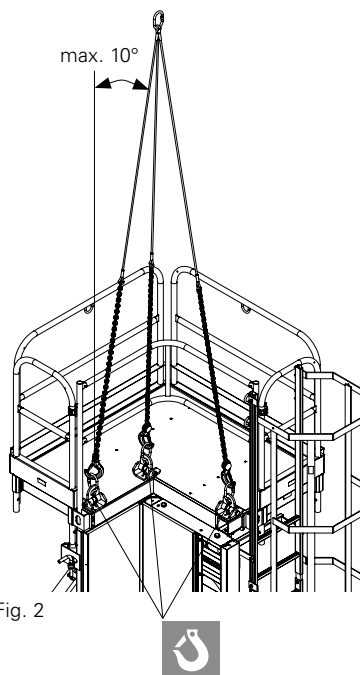


Fig. 2



## Assembly



Assembly of the Crane Hook for Concreting Platforms is demonstrated using the RAPID Column Formwork as an example; the same procedure applies to the TRIO and QUATTRO systems. The second action step is not required for the TRIO Column Formwork as no bolts have been pre-mounted here.

### Procedure

1. By turning counterclockwise, loosen cam nuts (6) of the Crane Hook for Concreting Platforms.
2. Remove the four bolts (7) of the column elements. (Fig. 3)
3. Position Concrete Landing (8) on the column frame and align with the respective drilled holes.
4. Insert Locking Pin (9) of the Crane Hook for Concreting Platforms through drilled hole (A) of the column element, tighten cam nut and secure by means of a torque wrench, 50 Nm.
5. Repeat action step four in drilled hole (B).
6. Align Telescopic Girder (10) to drilled hole (C) and mount third Crane Hook for Concreting Platforms. (Fig. 4)

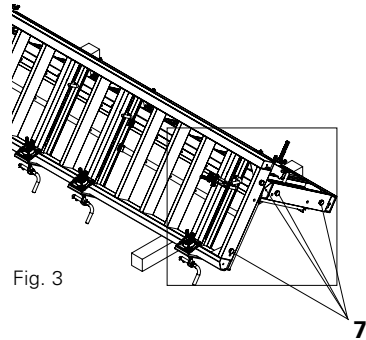


Fig. 3

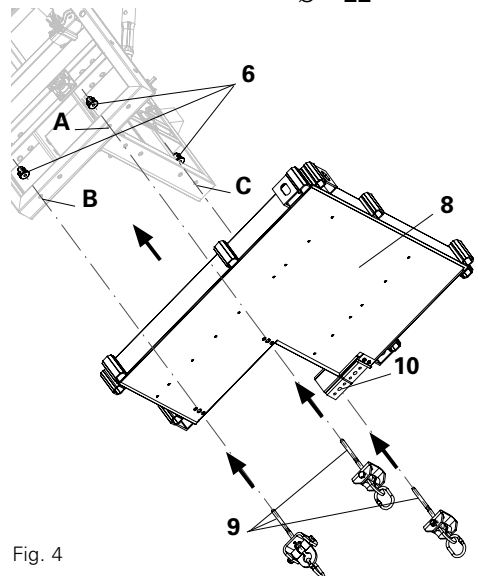
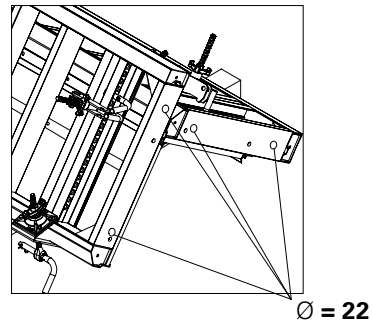


Fig. 4

## Transport of load

### Before lifting:



Check that the Crane Hook for Concreting Platforms is securely fixed to the Concrete Landing. (Fig. 5)

### During transportation:



#### Danger

- **Danger to life due to risk of element falling.**
- **Never linger under suspended loads!**
- **Always guide loads by means of a rope!**



### After concreting:



#### Warning

- **Risk of injury due to uncontrolled movement and overloading!**
- **Do not release the column element from the concrete with the crane.**



### Setting down:

Never set the load down abruptly. Do not place the Crane Hook for Concreting Platforms on obstacles.

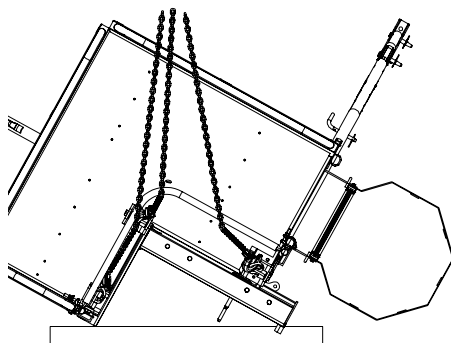


Fig. 5

## Dismantling



### Danger

- Risk of crushing due to element tipping over!
- Dismantling of the Crane Hook for Concreting Platforms is carried out on horizontally-positioned formwork halves!



Dismantling of the Crane Hook for Concreting Platforms is demonstrated using the RAPID Column Formwork as an example; the same procedure applies to the TRIO and QUATTRO systems. The fourth action step is not required for the TRIO Column Formwork as no bolts have been pre-mounted here.

### Procedure

1. Loosen the three cam nuts (6) of the Crane Hook for Concreting Platforms, and remove.
2. Pull the three Crane Hooks for Concreting Platforms out of the drilled holes of the Concrete Landing (8).
3. Remove the Concrete Landing from the formwork elements. (Fig. 6)
4. Screw in the four bolts (7) into the drilled holes of the column elements. (Fig. 7)

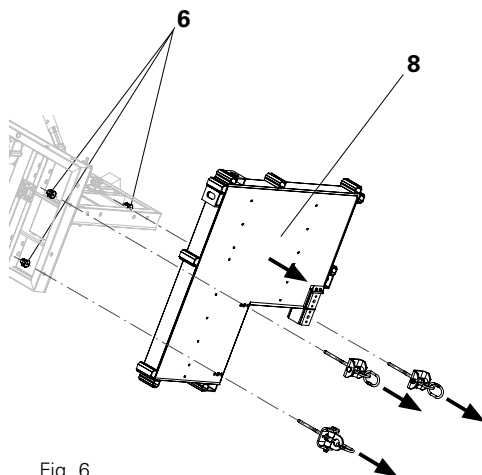


Fig. 6

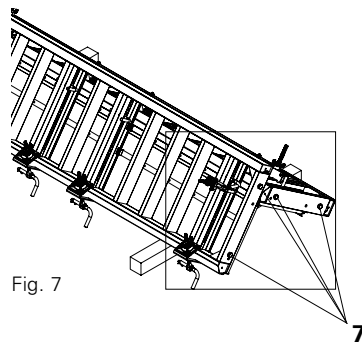


Fig. 7

## Disposal

Disposal of the component must be arranged by a qualified person.



### Caution

- **Risk of injury!**
- **Materials are to be sorted correctly and according to type.**
- **The materials are to be disposed of according to local regulations and guidelines.**



Item no.	Weight kg
037440	5.660

## Crane Hook for Concreting Platforms

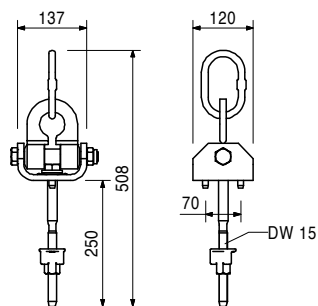
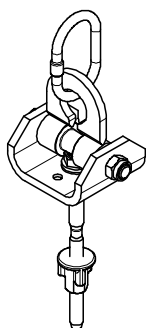
For mounting the Concrete Landing to TRIO, RAPID and QUATTRO Column Frames.

## Note

Follow relevant assembly instructions for the system.

## Technical data

Permissible load-bearing capacity 1.0 t.



## EG – Konformitätserklärung im Sinne der EG-Richtlinie 2006/42/EG Anhang II, 1.A

**In der Gemeinschaft ansässige Person, die bevollmächtigt ist, die technischen Unterlagen zusammenzustellen:**

Dipl.-Ing. Rainer Bolz  
PERI GmbH  
Rudolf-Diesel-Straße 19  
89259 Weißenhorn

**Beschreibung und Identifizierung:**

Produktgruppe: Säulenschalung  
Typ: Lastaufnahmemittel  
Artikel-Nr.: 037440  
Handels-Bez.: Kranöse Betonierplattform

**Es wird ausdrücklich erklärt, dass dieses Produkt allen einschlägigen Bestimmungen der folgenden EG-Richtlinien entspricht:**

EG Maschinenrichtlinie 2006/42/EG

**Fundstelle der angewandten harmonisierten Normen entsprechend Artikel 7, Absatz 2:**

EN 13155 : 2009-08  
EN 12100 : 2011-03

Weißenhorn, 02.03.2016

**Hersteller**

PERI GmbH  
Postfach 1264  
89259 Weißenhorn



**Leiter Forschung und Entwicklung**

Dipl.-Ing. Rainer Bolz  
PERI GmbH

This document is a translation into  
English from the German original.

## **EC – Declaration of Conformity** according to the EC-Machinery Directive 2006/42/EC Annex II, 1.A

### **Person residing within the Community authorised to compile the relevant technical documentation:**

Dipl.-Ing. Rainer Bolz  
PERI GmbH  
Rudolf-Diesel-Strasse 19  
89259 Weissenhorn

### **Description and identification:**

Product Group:	Column formwork
Typ:	Lifting accessory
Article-No.:	037440
Commercial Designation:	Crane Hook concreting platform

### **It is expressly declared that this product fulfils all relevant provisions of the following EU Directives:**

European Directive On Machinery 2006/42/EC

### **Reference to the harmonised standards used, as referred to in Article 7, Annex 2:**

EN 13155 : 2009 - 08  
EN 12100 : 2011 - 03

Weissenhorn, 02.03.2016

**Manufacturer**  
PERI GmbH  
P.O. Box 1264  
89259 Weissenhorn







**The optimal  
System for every  
Project and every  
Requirement**



**Wall Formwork**



**Column Formwork**



**Slab Formwork**



**Climbing Systems**



**Bridge Formwork**



**Tunnel Formwork**



**Shoring Systems**



**Construction Scaffold**



**Facade Scaffold**



**Industrial Scaffold**



**Access**



**Protection Scaffold**



**Safety Systems**



**System-Independent  
Accessories**



**Services**



**PERI GmbH  
Formwork Scaffolding Engineering**

Rudolf-Diesel-Strasse 19

89264 Weissenhorn

Germany

Tel. +49 (0)7309.950-0

Fax +49 (0)7309.951-0

info@peri.com

www.peri.com