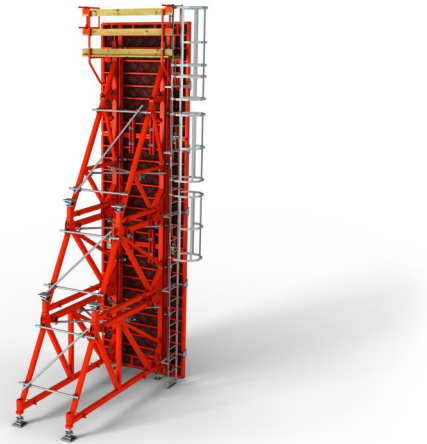


# PERI Rental Criteria

## SB Brace Frame



### Contact

**PERI GmbH**  
**Formwork Scaffolding**  
**Engineering**

P.O. Box 1264  
 89264 Weißenhorn; Germany  
 Phone +49 (0) 7309.950-0  
 Fax +49 (0) 7309.951-0  
[rental-criteria@peri.de](mailto:rental-criteria@peri.de)

Content	Page
Brace Frame	2
Connector SB-A, B, C	9
Guide Roller SB-A,B	10
Hook Strap	11
Connector SB-1,2	13
SB-L Anchor Bracket	16
Threaded Anchor Plate   Anchor Plate	17
Brace Frame Adapter	18
Wall Scaffolding Hinge	20

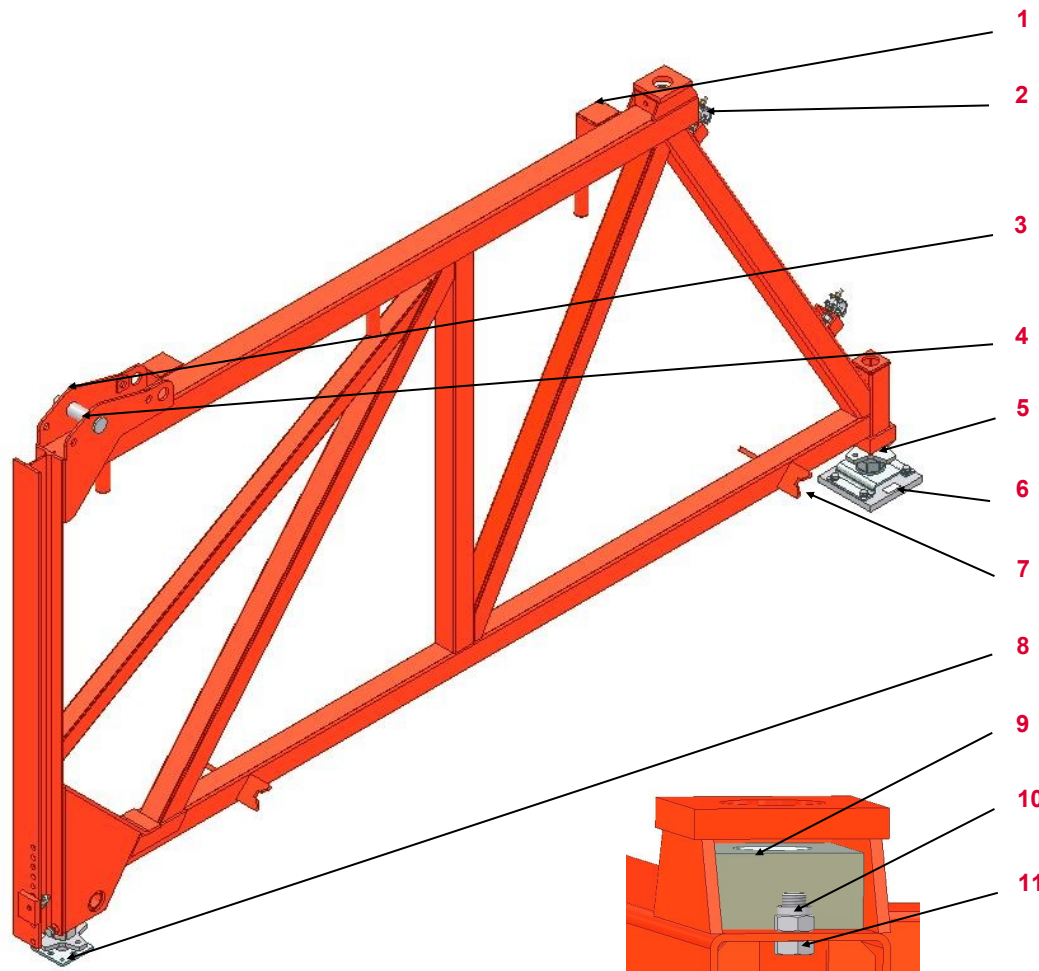
Changes made	Date   Initial	Page
New Version	12/2016   fw	
Damages 12.37 and 12.38 added	10/2018   fw	7
H- Profile at Brace frame bend added	08/2019   fw	8
Dowel Pin at SB Frame added	08/2022   fw	8
Crack in Adapter added	05/2023  fw	14

# PERI Rental Criteria

## SB Brace Frame



Brace Frame	No.	Name	Article number
-------------	-----	------	----------------





















1	Tube	108871
2	Half coupler 48	017040
3	Spring pin 8/1	710618
4	Bolt 50 x 150	710545
5	Adjusting nut	700554
6	Spindle	025730
7	Stacking aid	107291
8	Base for Spindle	700555
9	Thread block	710541
10	Hex. Bolt	070890
11	Hex. Bolt M 16	710231

Valid for	Article number
Brace frame SB-A0	025690
Brace frame SB-A	025700
Brace frame SB-B	025710
Brace frame SB-C	025720
Brace frame SB-1	027500
Brace frame SB-2	027510

# PERI Rental Criteria

## SB Brace Frame



Brace frame	Description	Instruction	Billing Condition	Type
	<b>Dent in tube</b>			
	<ul style="list-style-type: none"> <li>■ ≤ 8 mm and edges not affected</li> </ul>	 		
	<ul style="list-style-type: none"> <li>■ &gt; 8 mm and edges not affected</li> </ul>	 		
<ul style="list-style-type: none"> <li>■ Or edges affected</li> </ul>	 			
	<b>Tube cut in</b>	 		

# PERI Rental Criteria

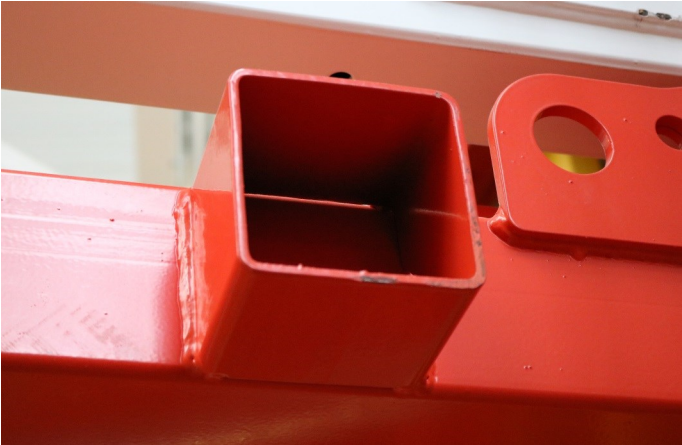
## SB Brace Frame



Brace frame	Description	Instruction	Billing Condition	Type
-------------	-------------	-------------	-------------------	------



Stacking aid bent














Stacking tube bent | kink



# PERI Rental Criteria

## SB Brace Frame



Brace frame	Description	Instruction	Billing Condition	Type
	<p><b>Half coupler</b></p> <ul style="list-style-type: none"> <li>■ Missing</li> <li>■ Or damaged by force</li> </ul>	<p>    </p>	<p>  088461   088461                 </p>	<p>    </p>
	<p><b>Tube for half coupler damaged</b></p>	<p>  </p>	<p>  088474                 </p>	<p>  </p>

# PERI Rental Criteria

## SB Brace Frame




















Brace frame	Description	Instruction	Billing Condition	Type	
	<b>Bolt   spring pin</b>				
	<ul style="list-style-type: none"> <li>■ Missing</li> </ul>			088462	
	<ul style="list-style-type: none"> <li>■ Or damaged by force</li> </ul>			088462	
	<b>Base spindle</b>				
	<ul style="list-style-type: none"> <li>■ Missing</li> </ul>			088465	
	<ul style="list-style-type: none"> <li>■ Or damaged by force</li> </ul>			088465	
	<b>Spindle</b>				
	<ul style="list-style-type: none"> <li>■ Missing</li> </ul>			088466	
	<ul style="list-style-type: none"> <li>■ Or damaged by force</li> </ul>			088466	

# PERI Rental Criteria

## SB Brace Frame



Brace frame	Description	Instruction	Billing Condition	Type
	<b>Adjusting nut</b>			
	<ul style="list-style-type: none"> <li>■ Worn (no straight area at the wings)</li> </ul>	 700554 (Adjusting nut)		
	<ul style="list-style-type: none"> <li>■ Or damaged due to force</li> </ul>	 700554 (Adjusting nut)		
<ul style="list-style-type: none"> <li>■ Or missing</li> </ul>	 700554 (Adjusting nut)			
	<b>Fixing screw</b>			
	<ul style="list-style-type: none"> <li>■ Rusty (function disturbed)</li> </ul>	 710542 (Fixing screw) Always lubricate the screw		
<ul style="list-style-type: none"> <li>■ Or missing</li> </ul>				

# PERI Rental Criteria

## SB Brace Frame



Brace frame	Description	Instruction	Billing Condition	Type
-------------	-------------	-------------	-------------------	------



**H- profile bent**



**Dowel Pin**

■ Missing



770012 (Sleeve)



■ Or damaged due to force



770012 (Sleeve)

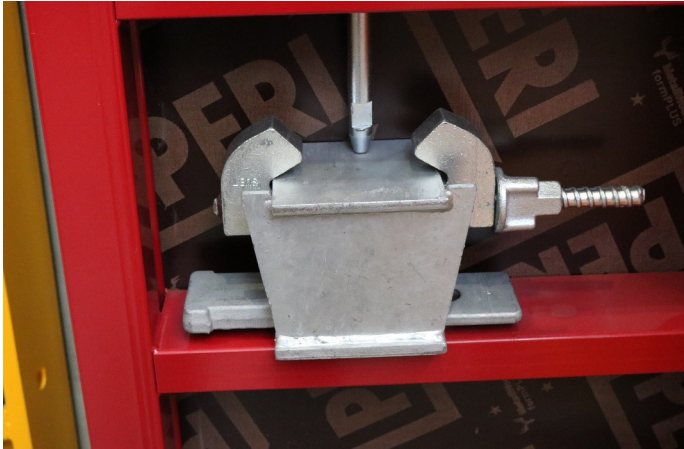


# PERI Rental Criteria

## SB Brace Frame

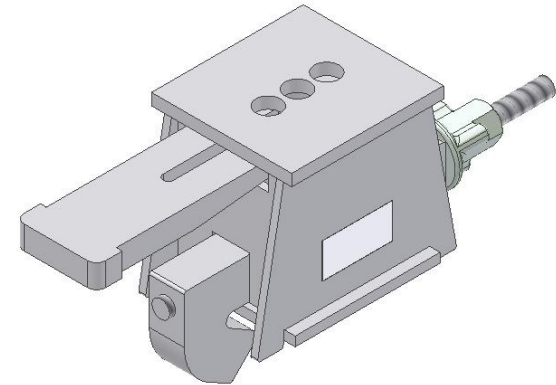


Connection SB-A, B, C - MX/TR/D (025740)	Description	Instruction	Billing Condition	Type
--	-------------	-------------	-------------------	------



**Thread not moveable**

- Worn
- Or damaged by force



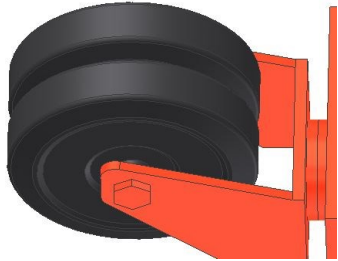






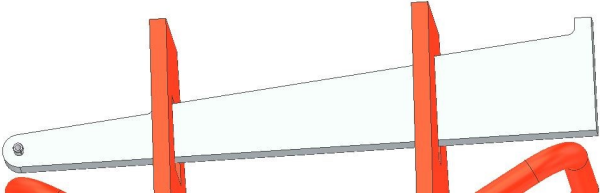





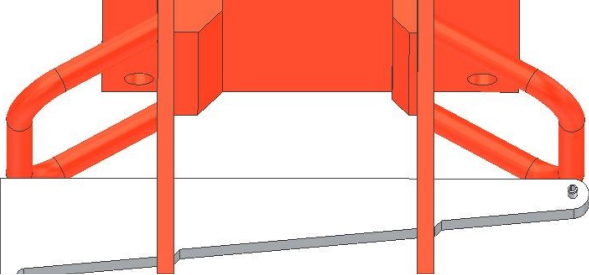






**Wedge bent. Function not given**



# PERI Rental Criteria

## SB Brace Frame



Guide Roller SB-A,B (025750)	Description	Instruction	Billing Condition	Type
	<b>Wheel</b>			
	<ul style="list-style-type: none"> <li data-bbox="878 571 965 595">■ Worn</li>   <li data-bbox="878 715 1133 738">■ Or damaged by force</li> </ul>	  	  	  
	<b>Wedge bent</b>	 722123 (Wedge) 780802 (Sleeve)	 088495   088481	  
	<b>Bracket   Plaid bent</b>			
	<ul style="list-style-type: none"> <li data-bbox="878 1265 1014 1289">■ If possible</li>   <li data-bbox="878 1409 1088 1433">■ Or if not possible</li> </ul>	  	 088244  	  

# PERI Rental Criteria


## SB Brace Frame

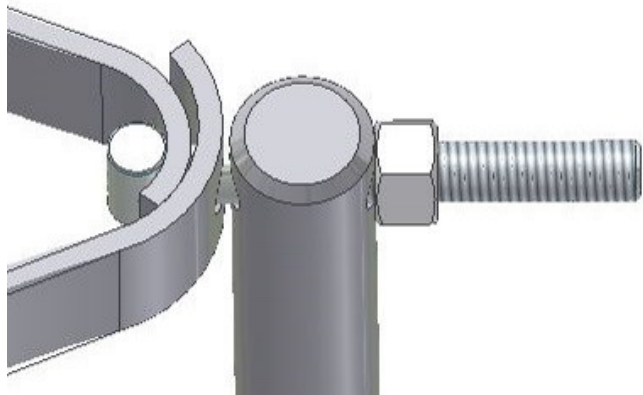


Hook Strap SB-1, 2 (027590)	Description	Instruction	Billing Condition	Type
-----------------------------	-------------	-------------	-------------------	------




Hook bent

 722657 (Hook R20)  
722658 (Hook R26)



Hammer Head Bolt | Nut


- Missing

 710290 (Hammer Head Bolt)  
710341 (Nut)

 088492



- Or damaged by force

 710290 (Hammer Head Bolt)  
710341 (Nut)

 088492

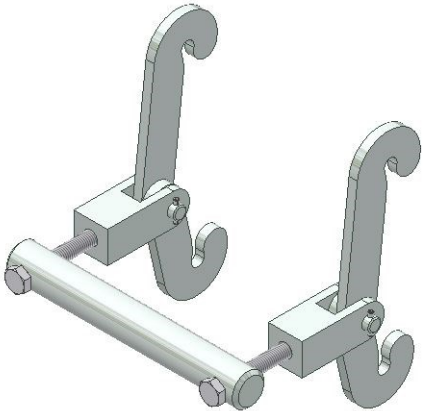


# PERI Rental Criteria

## SB Brace Frame





Hook Strap SB-2, asymmetric (116078)	Description	Instruction	Billing Condition	Type
--------------------------------------	-------------	-------------	-------------------	------



**Hook**


- Missing
  
- Or damaged by force

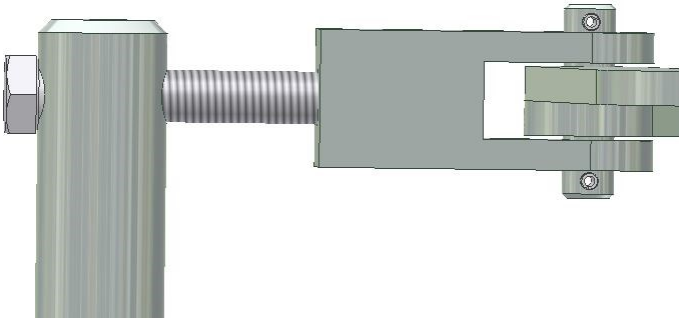
- 
 116071 (Hook long)  
 116069 (Hook short)
  
- 
 116071 (Hook long)  
 116069 (Hook short)



**Hex. Bolt | Bolt |Sleeve**

- Missing

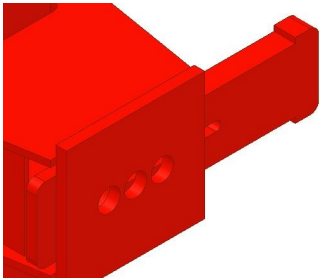



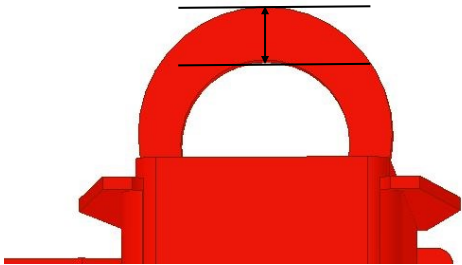











- 
 116073 (Bolt D 12)  
 722930 (Sleeve)  
 115007 (Hex. Bolt M12)



# PERI Rental Criteria

## SB Brace Frame



Adapter SB -1, 2 (027680)	Description	Instruction	Billing Condition	Type
	<p><b>Wedge bent. Function not given</b></p>			
	<p><b>Crane suspension worn</b></p> <ul style="list-style-type: none"> <li>■ Measurement ≤ 22,5 mm</li> </ul>	 		
	<p><b>Plaids bent</b></p> <ul style="list-style-type: none"> <li>■ If possible</li> <li>■ Or if not possible</li> </ul>	  	 088244  	  

# PERI Rental Criteria

## SB Brace Frame



Adapter SB -1, 2 (027680)	Description	Instruction	Billing Condition	Type
---------------------------	-------------	-------------	-------------------	------



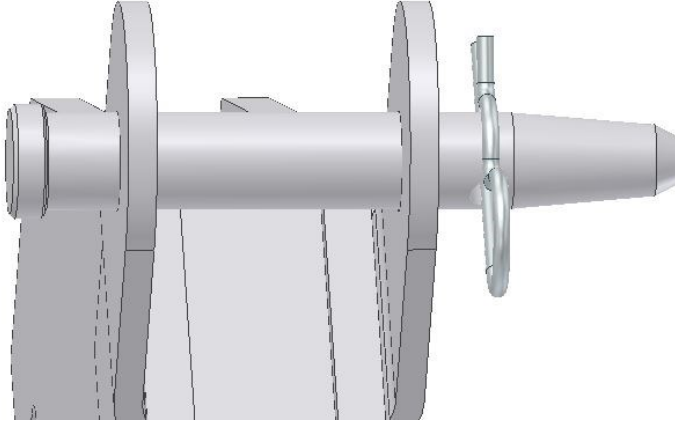




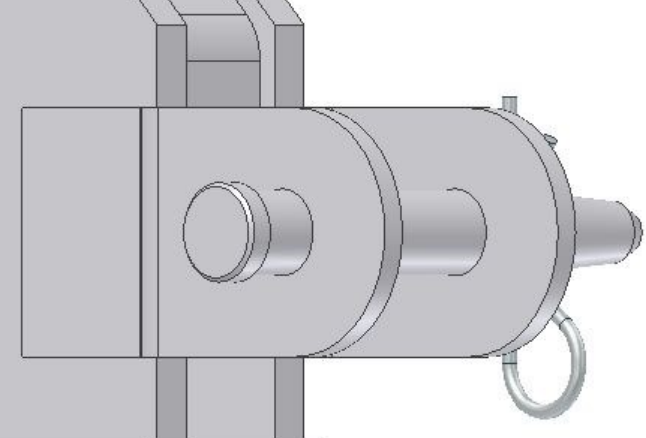






Crack in welding of the connection



# PERI Rental Criteria

## SB Brace Frame



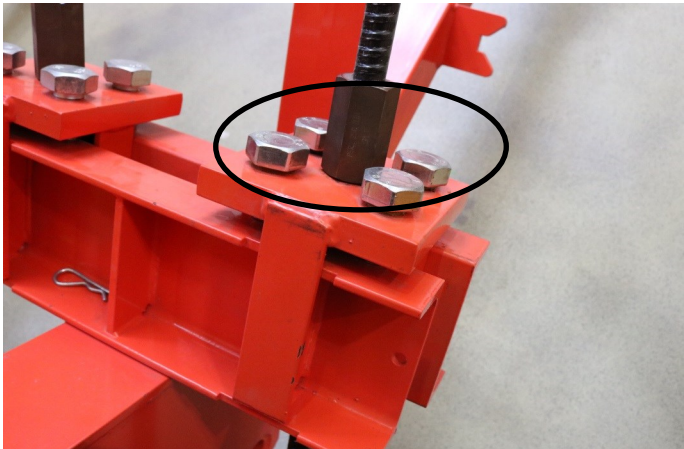
SB-L Anchor Bracket (100903)	Description	Instruction	Billing Condition	Type
	<p><b>Bolt   Spring pin</b></p>	<p>  105400 (Bolt)   018060 (Spring pin)         </p>	<p>  088178         </p>	
	<p><b>Latchet bent</b></p> <ul style="list-style-type: none"> <li>■ If possible</li> <li>■ Or if not possible</li> </ul>	<p>  </p> <p>  </p>	<p>  088244         </p> <p>  </p>	<p>  </p> <p>  </p>

# PERI Rental Criteria

## SB Brace Frame



Tension Release Plate   Anchor Plate (101621, 027480)	Description	Instruction	Billing Condition	Type
---	-------------	-------------	-------------------	------



**Hex Bolt**

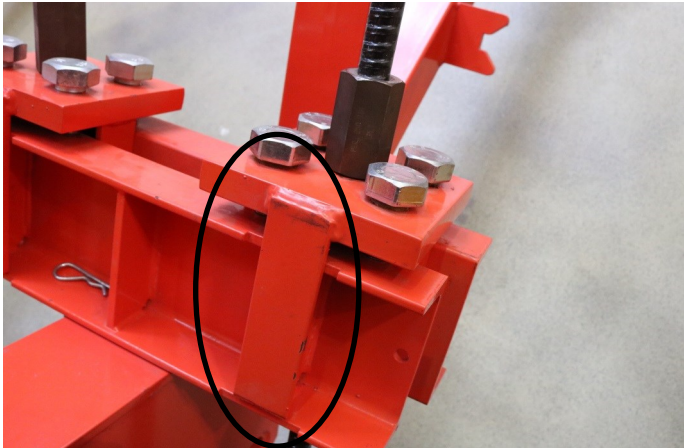
- Missing
- Or damaged by force



724563



724563



**Plaits missing | cut off | bent**



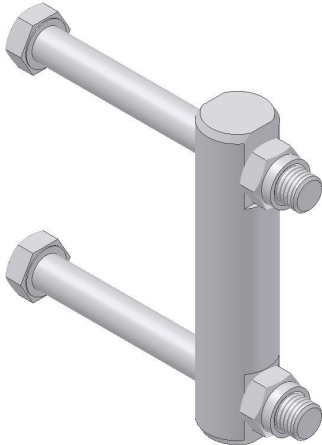






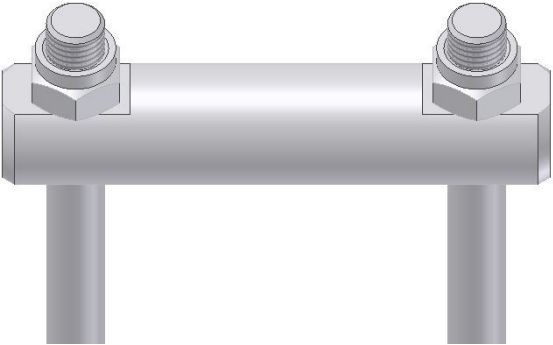




088472



# PERI Rental Criteria

## SB Brace Frame

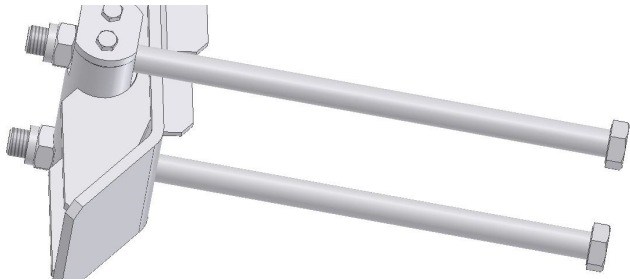






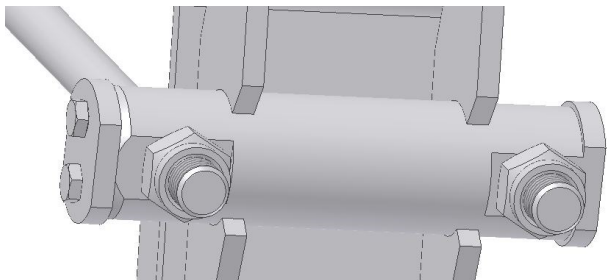



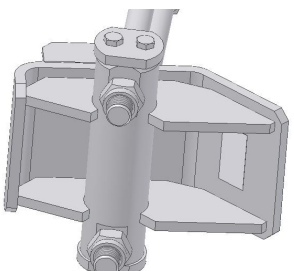








Base Frame Adaptor SB-A0, A, B (106662)	Description	Instruction	Billing Condition	Type
	<p><b>Hex. Bolt</b></p> <ul style="list-style-type: none"> <li>■ Bent</li> <li>■ Or missing</li> </ul>	<ul style="list-style-type: none"> <li>  106797 (Hex. Screw) 106803 (Nut)                 </li> <li>  106797 (Hex. Screw) 106803 (Nut)                 </li> </ul>	<ul style="list-style-type: none"> <li>  088492 088489                 </li> <li>  088492 088489                 </li> </ul>	<ul style="list-style-type: none"> <li>  </li> <li>  </li> </ul>
	<p><b>Shaft damaged   missing</b></p>	 		

# PERI Rental Criteria

## SB Brace Frame

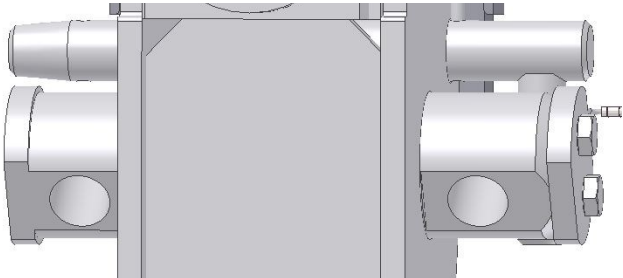






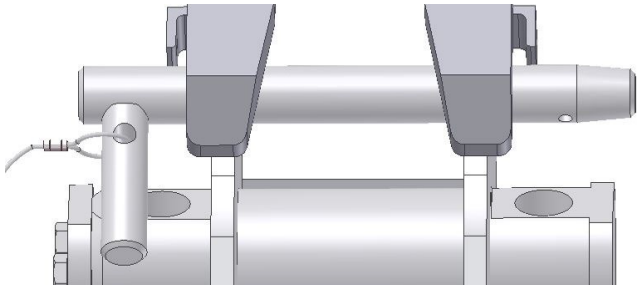


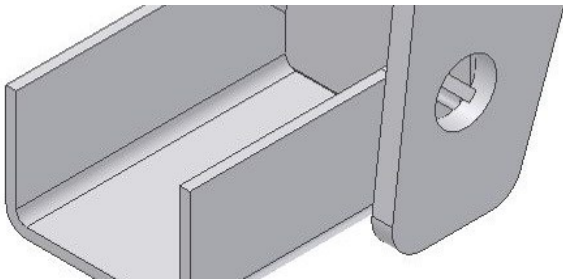








Base Frame Adaptor SB-2 (106663)	Description	Instruction	Billing Condition	Type
	<p><b>Hex. Screw</b></p> <ul style="list-style-type: none"> <li>■ Bent</li> <li>■ Or missing</li> </ul>	<ul style="list-style-type: none"> <li>  106798 (Hex. Screw M24x 500) 106803 (Nut)                 </li> <li>  106798 (Hex. screw M24x 500) 106803 (Nut)                 </li> </ul>	<ul style="list-style-type: none"> <li>  088492 088489                 </li> <li>  088492 088489                 </li> </ul>	<ul style="list-style-type: none"> <li>  </li> <li>  </li> </ul>
	<p><b>Shaft damaged</b></p>	<ul style="list-style-type: none"> <li>  106732 (Shaft D=60)                 </li> </ul>	<ul style="list-style-type: none"> <li>  </li> </ul>	<ul style="list-style-type: none"> <li>  </li> </ul>
	<p><b>Main part bent</b></p> <ul style="list-style-type: none"> <li>■ If possible</li> <li>■ Or if not possible</li> </ul>	<ul style="list-style-type: none"> <li>  </li> <li>  </li> </ul>	<ul style="list-style-type: none"> <li>  088244                 </li> <li>  </li> </ul>	<ul style="list-style-type: none"> <li>  </li> <li>  </li> </ul>

# PERI Rental Criteria

## SB Brace Frame

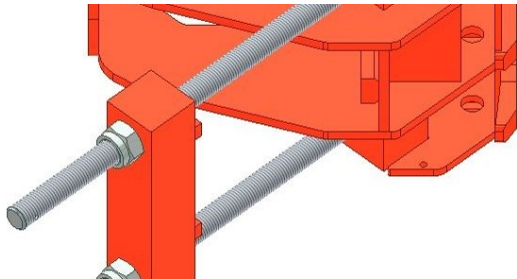






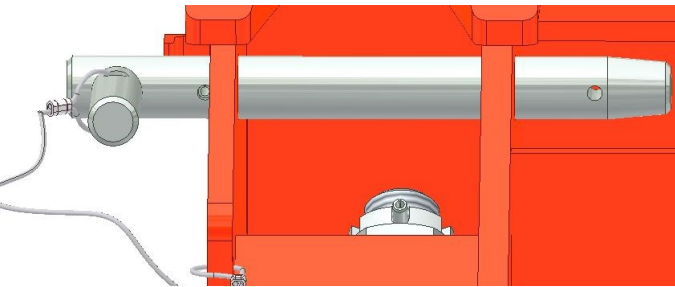



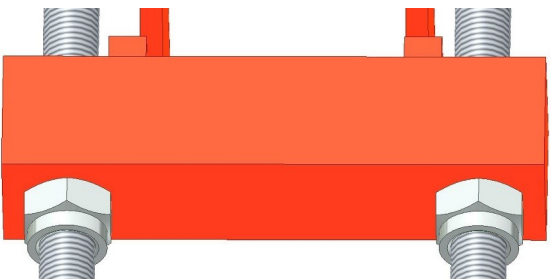





Brace Frame Wall Scaffold Hinge (106661)	Description	Instruction	Billing Condition	Type	
	<b>Shaft useless</b>				
	<ul style="list-style-type: none"> <li>■ Worn</li> </ul>				
	<ul style="list-style-type: none"> <li>■ Or damaged by force</li> </ul>			088494	
	<b>Bolt missing</b>				
			715585 (Bolt) 127303 (Chain) 127302 (Ferrule)		088478
	<b>U- Profile bent</b>				
	<ul style="list-style-type: none"> <li>■ If possible</li> </ul>				
	<ul style="list-style-type: none"> <li>■ Or if not</li> </ul>				

# PERI Rental Criteria

## SB Brace Frame




















Wall Scaffold Hinge SB double (111866)	Description	Instruction	Billing Condition	Type
	<p><b>Thread   Nut</b></p> <ul style="list-style-type: none"> <li>■ Bent</li> <li>■ Or missing</li> </ul>	<ul style="list-style-type: none"> <li>            112094 (Thread)            725119 (Nut)            706476 (Castle nut)         </li> <li>            112094 (Thread)            725119 (Nut)            706476 (Castle nut)         </li> </ul>	<ul style="list-style-type: none"> <li>            088496            088483            088484         </li> <li>            088496            088483            088484         </li> </ul>	<ul style="list-style-type: none"> <li></li> <li></li> </ul>
	<p><b>Bolt missing</b></p>	<ul style="list-style-type: none"> <li>            715585 (Bolt)            127302 (Ferrule)            127303 (Chain)         </li> </ul>	<ul style="list-style-type: none"> <li>            088478         </li> </ul>	<ul style="list-style-type: none"> <li></li> </ul>
	<p><b>Dolly missing</b></p>	<ul style="list-style-type: none"> <li>            112093 (Dolly)         </li> </ul>	<ul style="list-style-type: none"> <li>            088497         </li> </ul>	<ul style="list-style-type: none"> <li></li> </ul>

# PERI Rental Criteria

## Glossary Icons



Icon	Significance	Icon	Significance	Icon	Significance
	Not OK – material is scrap		Billing necessary (customer)		Optical damage
	OK—material stays in rental park		No Billing necessary		Functional damage
	Scrap material—it's not permitted to hand out the material because of safety aspects		Shorten material		Functional damage—it's not permitted to hand out the material
	Repair according to Instruction		Mark material		Static damage—it's not permitted to hand out the material
	Fix material cold– Afterwards check weld seams and bordering components		Replace damaged material		
	Repair after local economic efficiency calculation		Replace missing material		
	Clean material				