

# **PERI Rental Criteria**

## **CB - Climbing system**

Criteria for the evaluation of rental material

Edition: 01/2014

# PERI Rental Criteria

## CB Climbing system Product Group 11.20



### Overview

|                                  |    |
|----------------------------------|----|
| 1. Climbing bracket .....        | 3  |
| 2. Formwork carriage CB 240..... | 7  |
| 3. Handrail / safety cage .....  | 8  |
| 4. Accessories .....             | 9  |
| 5. Strongback 270 / 380 .....    | 10 |

### Last Changes

| Date    | Changes                     | Page | Who |
|---------|-----------------------------|------|-----|
| 01/2012 | 11.20.2; 11.20.16; 11.20.17 | 3; 7 | cf  |
| 09/2013 | entire revision             |      | rf  |
| 01/2014 | Marginal Corrections        |      | mr  |
|         |                             |      |     |
|         |                             |      |     |
|         |                             |      |     |
|         |                             |      |     |
|         |                             |      |     |
|         |                             |      |     |
|         |                             |      |     |
|         |                             |      |     |
|         |                             |      |     |
|         |                             |      |     |
|         |                             |      |     |

### Contact

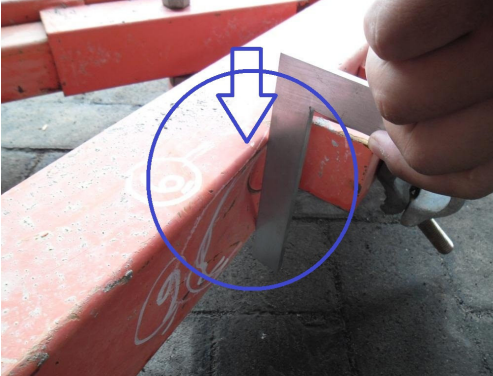
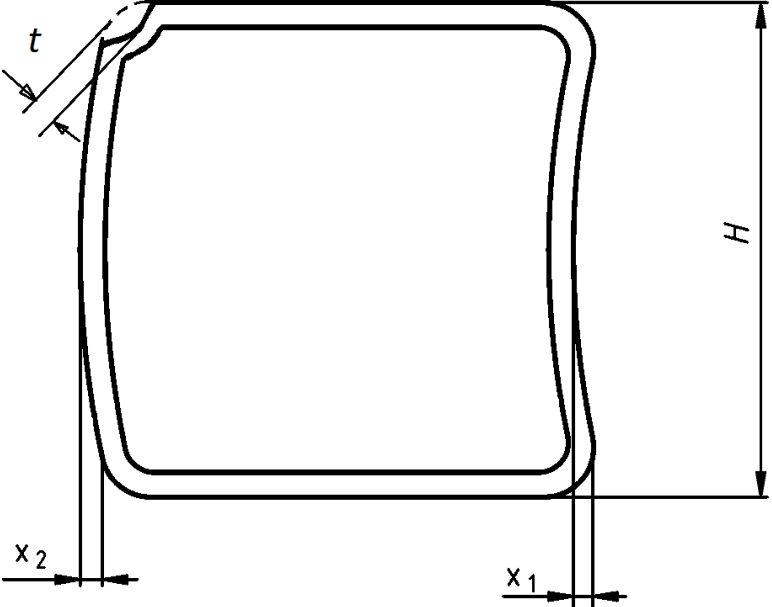


**PERI GmbH**  
**Schalung Gerüste Engineering**  
 Postfach 1264  
 89259 Weißenhorn  
 Telefon +49 (0) 7309.950-0  
 Telefax +49 (0) 7309.951-0  
[info@peri.de](mailto:info@peri.de)  
[www.peri.de](http://www.peri.de)

# PERI Rental Criteria

## CB Climbing system Product Group 11.20




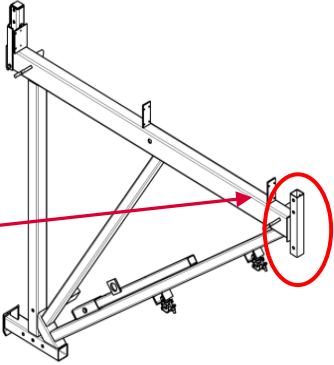
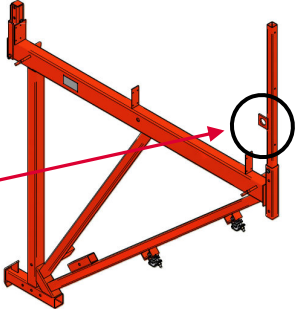

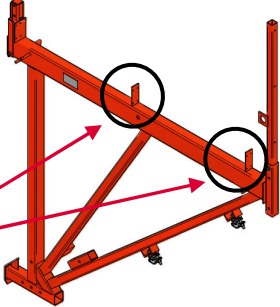
### 1. Climbing bracket

| damage  | repair instructions   | billing conditions  |
|---|---|---|
| <p>11.20.1</p> <ul style="list-style-type: none"> <li>dents or kinks in main frame</li> </ul>  <p>dent:<br/> <math>x_1 &gt; H / 25</math>, or<br/> <math>x_1 &gt; 5 \text{ mm}</math></p> <p>bow:<br/> <math>x_2 &gt; H / 25</math>, or<br/> <math>x_2 &gt; 5 \text{ mm}</math></p>  |  <p>unusable</p> <p>unusable</p>   | <p>Sale from rental</p> <p>Sale from rental</p>   |
| <p>11.20.2</p> <ul style="list-style-type: none"> <li>damage in edge</li> </ul>  <p>dent in edge<br/> <math>t &gt; H / 25</math>, or<br/> <math>t &gt; 5 \text{ mm}</math><br/>                     (H is the smaller measure of width and height of the hollow profile)<br/>                     edge with surface area damaged<br/>                     length <math>&gt; 15 \text{ mm}</math></p> | <p>11.20.2<br/>                     damage in edge – unusable</p> <p>11.20.2<br/>                     edge with large surface area damaged - unusable</p> <p>unusable</p> <p>unusable</p> |  <p>Sale from rental</p> <p>Sale from rental</p> |

# PERI Rental Criteria

## CB Climbing system Product Group 11.20

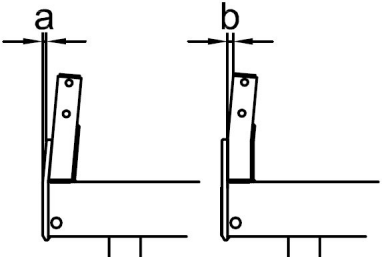
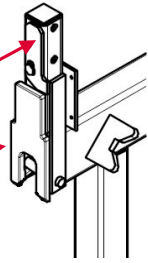
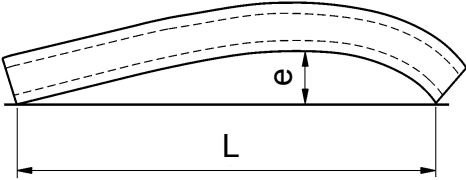
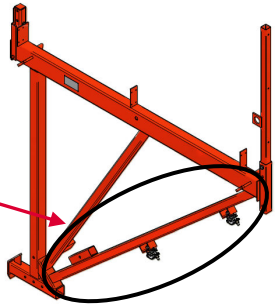


| damage   | repair instructions   | billing conditions   |
|--|---|--|
| <p>11.20.3</p> <ul style="list-style-type: none"> <li>Fixing handrail holder bent</li> </ul>    | <p>11.20.3<br/>handrail holder bent - unusable</p> <p>11.20.3<br/>handrail holder</p>   |   |
| <p>dent <math>x_1 &gt; 2</math> mm</p>   | <p>unusable</p>   | <p>Sale from rental</p>  |
| <p>11.20.4</p> <ul style="list-style-type: none"> <li>load bearing point of handrail holder CB 240</li> </ul> <p>ear deformed or cracks in welding seam</p>  | <p>11.20.4<br/>load bearing point of handrail holder CB 240</p> <p>repair not possible<br/>replace handrail holder CB 240<br/>item no.: 715977</p>  |  <p>spare part</p>                                     |
| <p>11.20.5</p> <ul style="list-style-type: none"> <li>fixing lug CB 240 bent</li> </ul>  <p>lug slightly bent <math>&lt; 20^\circ</math></p> <p>lug badly bent <math>&gt; 20^\circ</math>, welding seam or lug cracked or lug missing</p> | <p>11.20.5<br/>fixing lug badly bent – if applicable remove old lug and weld on new lug</p> <p>11.20.5<br/>fixing lug CB 240</p> <p>cold repair, ATTENTION to cracks!</p> <p>if applicable remove old lug and weld on new lug item no. 701222</p> |  <p>working time</p> <p>working time + spare part</p> |

# PERI Rental Criteria

## CB Climbing system Product Group 11.20

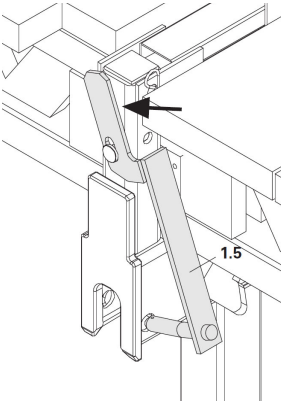

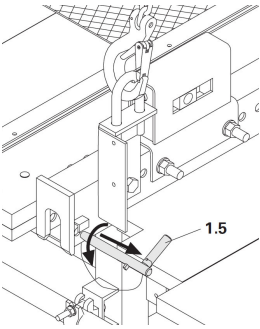


| damage   | repair instructions   | billing conditions  |
|--|---|---|
| <p><b>11.20.6</b></p> <p>▪ <b>end plate damaged</b></p>  <p>CB 240/160 end plate dent<br/>a &gt; 1 mm</p> <p>CB 240 pin to hand rail dent<br/>b &gt; 5 mm</p> <p>other damages or dents on end plate</p>  | <p><b>11.20.6</b><br/>connection to carriage<br/>and end plate</p> <p>unusable</p> <p>unusable</p> <p>unusable</p>  |  <p>sale from rental</p> <p>sale from rental</p> <p>sale from rental</p> |
| <p><b>11.20.7</b></p> <p>▪ <b>cross-brace bent</b></p>  <p><math>e &lt; L \text{ [mm]} / 300</math></p> <p><math>e &gt; L \text{ [mm]} / 300</math></p>   | <p><b>11.20.7</b><br/>cross-brace</p> <p>no repair</p> <p>cold repair and straighten<br/>if not possible → scrap</p>  |  <p>no charging</p> <p>working time<br/>sale from rental</p>            |
| <p><b>11.20.8</b></p> <p>▪ <b>check completeness:<br/>climbing bracket CB 240</b></p> <ul style="list-style-type: none"> <li>- bracket CB 240</li> <li>- handrail post CB 240</li> <li>- hex bolt ISO 4014 M16x80 8.8</li> <li>- springer washer DIN 128 A 16 FST</li> <li>- hex nut ISO 7032 M16-8</li> <li>- screw-on coupling AK48</li> </ul> | <p>replace missing or damaged parts</p> <ul style="list-style-type: none"> <li>Item no. 715976</li> <li>Item no. 715977</li> <li>Item no. 710222</li> <li>Item no. 710903</li> <li>Item no. 710229</li> <li>Item no. 017040 + working time</li> </ul> | <p>Spare parts + working time</p>   |

# PERI Rental Criteria

## CB Climbing system Product Group 11.20




| damage   | repair instructions   | billing conditions                    |
|--|---|---------------------------------------|
| <p>11.20.9</p> <p>▪ <b>Check functionality: safety bolt CB 240</b></p> <p>safety unit not rotatable or welding seam cracked</p>  <ul style="list-style-type: none"> <li>- safety lock powder-coated</li> <li>- safety bolt <math>\varnothing</math> 16mm</li> <li>- sleeve 5x26</li> </ul>  | <p>replace missing or damaged parts as per modification instruction IQM 2006/049:</p>  <p>Item no. 111148<br/>Item no. 111147<br/>Item no. 721925</p> | <p>spare parts<br/>+ working time</p> |
| <p>11.20.10</p> <p>▪ <b>check completeness: climbing bracket CB 160</b></p> <ul style="list-style-type: none"> <li>- Bracket CB 160</li> <li>- screw-on coupling AK48</li> <li>- handrail post CB 160</li> <li>- hex bolt ISO 4014 M16x80 8.8</li> <li>- hex nut ISO 7032 M16-8</li> </ul>   | <p>replace missing or damaged parts</p> <p>Item no. 715940<br/>Item no. 017040<br/>Item no. 701209<br/>Item no. 710222<br/>Item no. 070890</p>  | <p>spare parts<br/>+ working time</p> |
| <p>11.20.11</p> <p>▪ <b>check completeness: safety bolt CB 160</b></p> <p>safety unit not insertable or bolt is bent</p>  <ul style="list-style-type: none"> <li>- pin 20x200, galvanized</li> <li>- chain G3x26 L=364mm (14 chain links)</li> <li>- ring for chain</li> </ul> <p>alternatively fix with</p> <ul style="list-style-type: none"> <li>- steel cable <math>\varnothing</math> 1,8 mm</li> <li>- alu tension clip DIN 3093-A-2</li> </ul> | <p>replace missing or damaged parts:</p> <p>Item no. 714040<br/>Item no. 107554<br/>Item no. 710929 (2x)<br/>Item no. 710935<br/>Item no. 781020 (4x)</p>   | <p>spare parts<br/>+ working time</p> |

# PERI Rental Criteria

## CB Climbing system Product Group 11.20



### 2. Formwork carriage CB 240


| damage   | repair instructions   | billing conditions                    |
|--|---|---------------------------------------|
| <p>11.20.12</p> <ul style="list-style-type: none"> <li>▪ <b>check completeness: handrail CB 240</b> <ul style="list-style-type: none"> <li>- rail CB 240</li> <li>- locking wedge carriage</li> <li>- steel cable <math>\varnothing=1,8</math> mm</li> <li>- alu tension clip DIN 3093-A-2</li> <li>- cog-wheel <math>\varnothing=25</math> mm</li> <li>- bolt with sleeve</li> <li>- sleeve ISO8752-08, 8,0x0,45 galvanized</li> <li>- axel RD 25x184</li> <li>- cotter pin 4/1 galvanized</li> <li>- roller RD 60x85</li> </ul> </li> </ul> <p>visual inspection of predetermined breaking point<br/>pin in cog-wheel/axel</p> | <p>replace missing or damaged parts:</p> <ul style="list-style-type: none"> <li>Item no. 715945</li> <li>Item no. 710944</li> <li>Item no. 710935</li> <li>Item no. 781020</li> <li>Item no. 710866</li> <li>Item no. 715936</li> <li>Item no. 710914</li> <br/> <li>Item no. 710859</li> <li>Item no. 018060</li> <li>Item no. 711047</li> </ul> | <p>spare parts<br/>+ working time</p> |
| <p>11.20.13</p> <ul style="list-style-type: none"> <li>▪ <b>check completeness: rack CB 240</b> <ul style="list-style-type: none"> <li>- rack CB</li> <li>- bolt <math>\varnothing</math> 16x65/8, galvanized</li> <li>- cotter pin 4/1, galvanized</li> </ul> </li> </ul>   | <p>replace missing or damaged parts:</p> <ul style="list-style-type: none"> <li>Item no. 715947</li> <li>Item no. 018050</li> <li>Item no. 018060</li> </ul>  | <p>spare parts<br/>+ working time</p> |
| <ul style="list-style-type: none"> <li>▪ <b>rack CB 240 dent</b></li> </ul>  <p>e &gt; L [mm] / 200</p>   | <p>unusable</p>   | <p>Sale from rental</p>               |

# PERI Rental Criteria

## CB Climbing system Product Group 11.20




### 3. Handrail / safety cage

| damage   | repair instructions   | billing conditions            |
|--|---|-------------------------------|
| <b>11.20.14</b><br><ul style="list-style-type: none"> <li>check completeness:<br/> <b>platform shaft 225</b> <ul style="list-style-type: none"> <li>- shaft 225 for platform shaft</li> <li>- hex bolt ISO 4014 M16x130 8.8</li> <li>- spring washer DIN 128 A16 FST</li> <li>- hex nut ISO 4032 M 16-8</li> </ul> </li> </ul> | replace missing or damaged parts:<br>Item no. 715638<br>Item no. 710232<br>Item no. 710903<br>Item no. 710229 | spare parts<br>+ working time |
| <b>11.20.15</b><br><ul style="list-style-type: none"> <li>platform shaft 225 bent</li> </ul>  <p>e &gt; L [mm] / 200</p>   | unusable  | Sale from rental              |
| <b>11.20.16</b><br><ul style="list-style-type: none"> <li>shaft extension 180 bent</li> </ul> <p>e &gt; L [mm] / 200</p>   | unusable  | Sale from rental              |
| <b>11.20.17</b><br><ul style="list-style-type: none"> <li>platform cantilever beam CB bent</li> </ul> <p>e &gt; L [mm] / 200</p>   | unusable  | Sale from rental              |
| <b>11.20.18</b><br><ul style="list-style-type: none"> <li>handrail shaft 200 bent</li> </ul> <p>e &gt; L [mm] / 200</p>  | unusable  | Sale from rental              |
| <b>11.20.19</b><br><ul style="list-style-type: none"> <li>check completeness:<br/> <b>handrail shaft 200</b> <ul style="list-style-type: none"> <li>- shaft 200 for handrail shaft</li> <li>- hex bolt ISO 4014 M16x130-8.8</li> <li>- spring washer DIN 128 A16 FST</li> <li>- hex nut ISO 4032 M 16-8</li> </ul> </li> </ul> | replace missing or damaged parts:<br>Item no. 715640<br>Item no. 710232<br>Item no. 710903<br>Item no. 710229 | spare parts<br>+ working time |

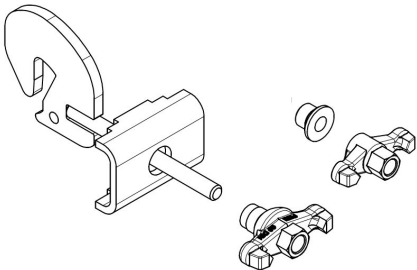
# PERI Rental Criteria

## CB Climbing system Product Group 11.20



| damage  | repair instructions   | billing conditions |
|---|---|--------------------|
| <b>11.20.20</b><br><ul style="list-style-type: none"> <li>handrail shaft 190 and 370, bent</li> </ul>  <p><math>e &gt; L \text{ [mm]} / 200</math></p> | <b>11.20.21</b><br>Handrail shaft bent<br>$e > L \text{ [mm]} / 200$ - unusable<br><br>unusable | Sale from rental   |
| <b>11.20.21</b><br><ul style="list-style-type: none"> <li>End-handrail shaft CB bent<br/> <math>e &gt; L \text{ [mm]} / 200</math></li> </ul>   | unusable  | Sale from rental   |
| <b>11.20.22</b><br><ul style="list-style-type: none"> <li>Front-handrail shaft bent<br/> <math>e &gt; L \text{ [mm]} / 200</math></li> </ul>  | unusable  | Sale from rental   |

### 4. Accessories

| damage   | repair instructions   | billing conditions            |
|--|---|-------------------------------|
| <b>11.20.23</b><br><ul style="list-style-type: none"> <li>check completeness:<br/> <b>Bolt holder 2</b> <ul style="list-style-type: none"> <li>hook tie right</li> <li>hook tie left</li> <li>wing nut RD 16x1/8"</li> <li>T-bolt RD 16x1/8"</li> <li>cross strap 2</li> </ul> </li> </ul>   | replace missing or damaged parts:<br>Item no. 710188<br>Item no. 710186<br>Item no. 710264<br>Item no. 710263<br>Item no. 722137  | spare parts<br>+ working time |
| <b>11.20.24</b><br><ul style="list-style-type: none"> <li>check completeness:<br/> <b>Bolt holder U 100-U120</b> <ul style="list-style-type: none"> <li>bolt holder</li> <li>cross strap</li> <li>spherical nut RD 16</li> </ul> </li> </ul>  <p>damaged thread at old version with cross strap and drill Ø18</p> | replace missing or damaged parts:<br>Item no. 110058<br>Item no. 110055<br>Item no. 118260<br><br>consider PM-Memo 2010-39:<br>new version cross strap with drill Ø30.5 only for use with spherical nut or alternatively with wing nut RD16x1/8" (Item no. 710264) and spherical sleeve Ø17 (Item no. 118291) | spare parts<br>+ working time |
| damaged thread at old version with cross strap and drill Ø18   | repair as per PM-Memo 2010-39   | no charging                   |

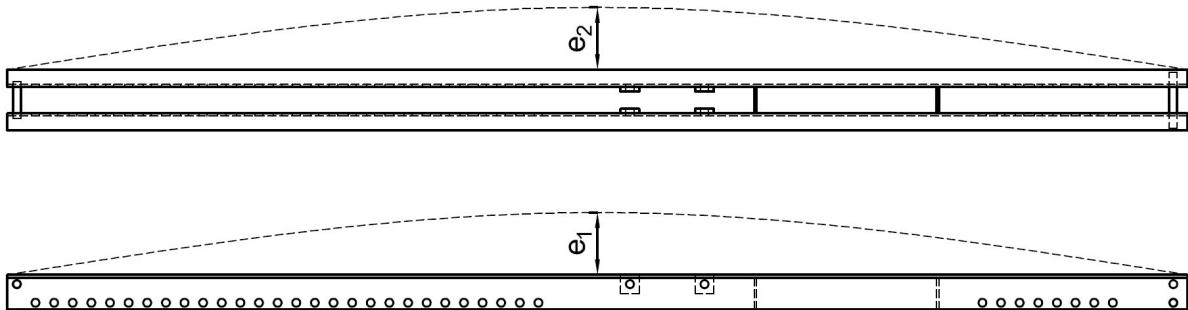
# PERI Rental Criteria

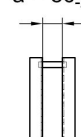
## CB Climbing system Product Group 11.20



### 5. Strongback 270 und 380

| damage  | repair instructions   | billing conditions            |
|---|---|-------------------------------|
| <b>11.20.25</b><br><ul style="list-style-type: none"> <li>strongbacks<br/>bar missing</li> <li>bolt missing</li> </ul>                      | replace bar:<br>Item no. 701248 panel L = 86<br><br>replace bolt:<br>Item no. 715936 bolt with<br>clamping sleeve<br>Item no. 018060 FS 4/1 | spare parts<br>+ working time |
| <b>11.20.26</b><br><ul style="list-style-type: none"> <li>load-bearing point<br/>welded in bolt<br/>bent or welding seam cracked</li> </ul> | repair not possible<br>unusable   | Sale from rental              |
| <b>11.20.27</b><br><ul style="list-style-type: none"> <li>Strongback cut, chopped or sawed</li> </ul>                                       | repair not possible<br>unusable   | Sale from rental              |
| <b>11.20.28</b><br><ul style="list-style-type: none"> <li>Strongback deformed<br/>(distorted)</li> </ul>                                    | repair not possible<br>unusable   | Sale from rental              |
| <b>11.20.29</b><br><ul style="list-style-type: none"> <li>Strongback bent</li> </ul>  |   |                               |



|   |  |   |
|---|--|---|
| Strongback 270 and 380<br>$e_1 > 5 \text{ mm}$<br>$e_2 > 8 \text{ mm}$  | repair not possible<br>unusable  | Sale from rental                                    |
| <b>11.20.30</b><br><ul style="list-style-type: none"> <li>Strongback<br/>distance between U-profiles</li> </ul> $a = 86^{+4}_{-2}$  $a > 90 \text{ mm}$ or $a < 84 \text{ mm}$ | within the range of tolerance<br><br>beyond the range of tolerance<br>repair possible<br>repair not possible | no charging<br><br>working time<br>Sale from rental |